



WHUD

Sewer Service Line Installation & Inspection Process

January 2018

White House Utility District

Details for Gravity Sewer Service Connections to Main-Line Stub-outs and connections to Water Service Stub-outs

Connection of building plumbing to main-line stub-outs will require two separate inspections. The first inspection is the **Preliminary** or “open ditch inspection”, and the second is the **Final Inspection**. Both must be accepted as passing by WHUD inspectors before billing can be “transferred” or directed to the homeowner.

The **Preliminary inspection** will include viewing of the entire Sewer Service including the connection to the service stub-out (see section A); also included is the Water Service and its connection to the meter “pigtail” (see section B). The installation must maintain strict adherence to WHUD specifications. Where sewer service is provided within Hendersonville City Limits, Hendersonville Codes must be recognized by requesting an inspection from that department. Contact Steve Yunker at (615)-822-1000.

The **Final Inspection** will include the inspection of the sewer clean-out box (see section C), and the water meter box (see section D).

A. Gravity Sewer Service Connections-Preliminary Inspection

- Pipe and fitting joints shall be joined with a separate primer and glue or an all-in-one glue and primer product. The primer/glue must be made available upon the inspector’s request.
- At no time shall the gravity main stub-out be altered concerning length or material unless approved by the Inspector prior to installation.
- There shall be no bends added on the main-side of the 6” clean-out.
- All 45 degree bends shall maintain a minimum of 4 feet of linear separation unless otherwise approved by the inspector.
- Cleanout caps shall be solvent weld by threaded with a male operating nut and installed at the time of the Preliminary inspection; it is not required to be glued in place until the Final Inspection.
- At the time of the preliminary inspection all pipe, fittings and connections must be completely visible with gravel bedding in place. At no time shall any length of pipe or fittings be left suspended.
 - A smooth elevation transition shall be made by the service line from the point it exits the building to the connection with the sewer stub-out while making use of a minimum number of bends.

B. Water Service Connections-Preliminary Inspection

- Existing water service stub-outs shall not be altered as to deviate from WHUD specifications; regarding depth of box, material or location.

- The water service connection shall be made outside the meter box by connecting to the provided copper “pig tail”. No connections shall be made inside the meter box.

C. Sewer Clean-out Box Installation-Final Inspection

- The cleanout box shall be installed with the long side of the box perpendicular to the curb.
- The cleanout box shall rest on a minimum of three inches of #67 crushed stone, which must be clearly visible at the time of inspection.
- The box shall be installed level with the finished grade of the yard, with no alterations made to the yard to accommodate the level of the box.
- The cleanout cap assembly shall be glued in place with the threaded plug tightened, and centered within the cleanout box.
- There shall be adequate clearance between the threaded cleanout plug and the bottom of the cleanout box lid to allow complete closure of the lid.

D. Water Meter Box Installation-Final

- The water meter box and lid will be of the part number provided in the standard detail included in this packet.
- The box shall be installed with the long side of the box perpendicular to the curb.
- The box shall rest on a minimum of three inches of #67 crushed stone, which must be clearly visible at the time of inspection.
- The meter, meter setter, and compression adapters on each end of the setter shall be completely visible and centered within the water meter box.
- No dirt or debris shall be present in the box that would hinder the removal of the meter or meter setter.
- The box shall be installed level with the finished grade of the yard, with no alterations made to the yard to accommodate the level of the box.

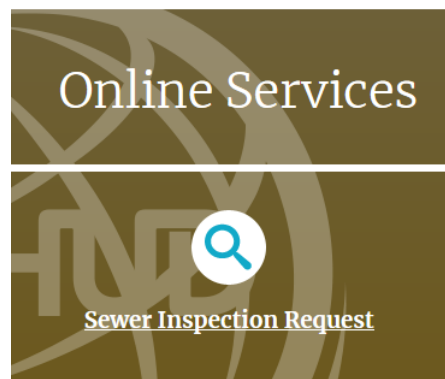
All inspections can be requested by clicking on the following link:

<https://whud-public.maps.arcgis.com/apps/GeoForm/index.html?appid=868c609eda0d4c0c8b651c811591c221>

Or you can find this form by:

- **Going to our Web site at www.whud.org**
- **Scroll down the home page to the Online Services section**
- **Click on Sewer Inspection Request**

**Field Operations Department
White House Utility District**



White House Utility District

Inspection process for Grinder Pump Sewer Service Connections

The **Grinder Pump Preliminary Inspection** will consist of an open ditch inspection for all pipe, fittings, 2" check valve box, and grinder tank in place with control panel installed and wired up to the stab disconnect.

***Please refer to the detailed drawing of simplex grinder pump for installation specs.**

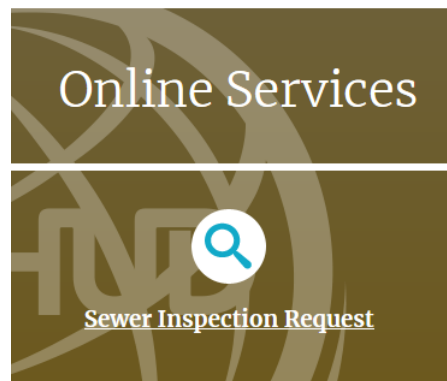
The **Grinder Pump Final Inspection** will consist of all grade work complete with seed and straw or sod in place. WHUD will perform a grinder start up and cycle the grinder pump. The customer will be responsible for having the grinder tank full of water so we can perform the start up. **At no time prior to WHUD approving the final inspection should anyone power up the grinder system.**

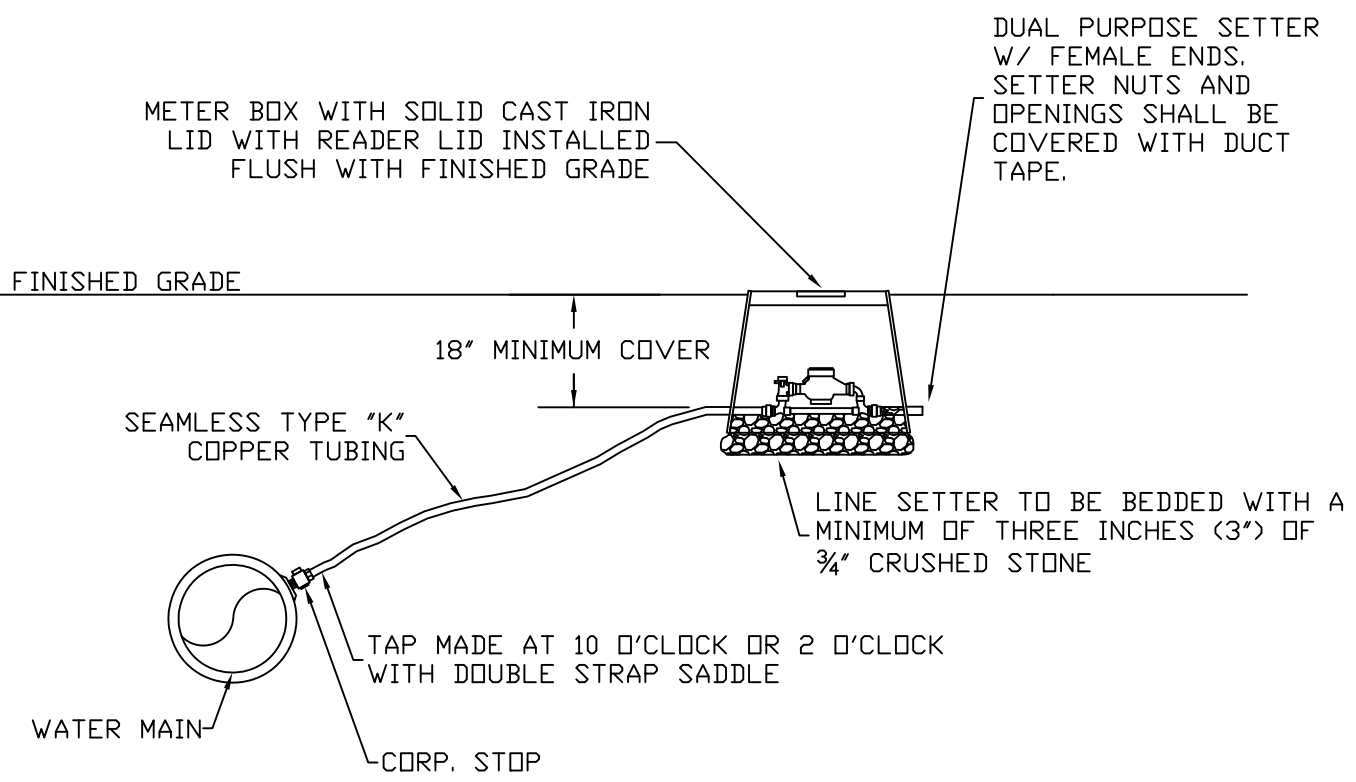
All inspections can be requested by clicking on the following link:

<https://whud-public.maps.arcgis.com/apps/GeoForm/index.html?appid=868c609eda0d4c0c8b651c811591c221>

Or you can find this form by:


- **Going to our Web site at www.whud.org**
- **Scroll down the home page to the Online Services section**
- **Click on Sewer Inspection Request**





NOTES:

1. 3/4" AND 1" METERS FURNISHED BY W.H.U.D.
2. SEE STD-W-03 AND STD-W-04 FOR 3/4" WATER SERVICE ARRANGEMENTS.
3. SEE APPROVED W.H.U.D. MATERIAL LIST.

| | | |
|----------------------------------------------------------------------------------------------------------------------------------------------------------------------|---------------------------------------|-----------------------------------|
|  White House Utility District <small>WATER & WASTEWATER</small> | WHITE HOUSE UTILITY DISTRICT | DATE : FEB 2012 SCALE : N.T.S. |
| | 3/4" AND 1" SHORT TAP ASSEMBLY DETAIL | STD-W-01 |

HDPE METER BOX AND HDPE COVER WITH CAST IRON READER DOOR AND AMR OPENING INSTALLED FLUSH WITH FINISHED GRADE

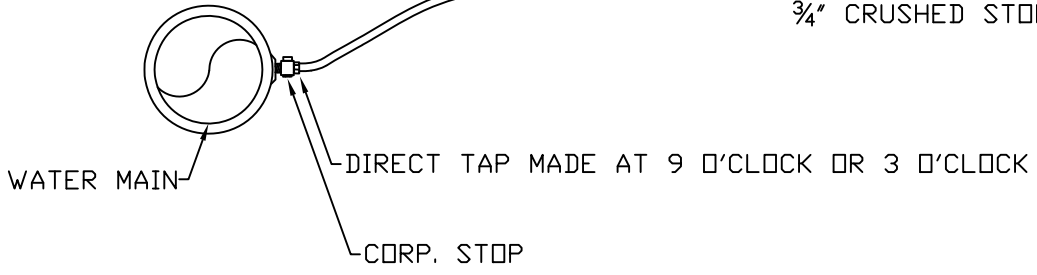
LINE SETTER W/ FEMALE ENDS, BALL INLET VALVE, SINGLE ANGLE OUTLET CHECK VALVE, DUAL PURPOSE OUTLET WITH MALE ADAPTOR X COMPRESSION FITTING. SETTER NUTS AND OPENINGS SHALL BE COVERED WITH DUCT TAPE.

FINISHED GRADE

18" MINIMUM COVER


REHAU MUNICIPEX PEX_a WITH 14 GAUGE TRACER WIRE TAPED TO SERVICE TO METER BOX

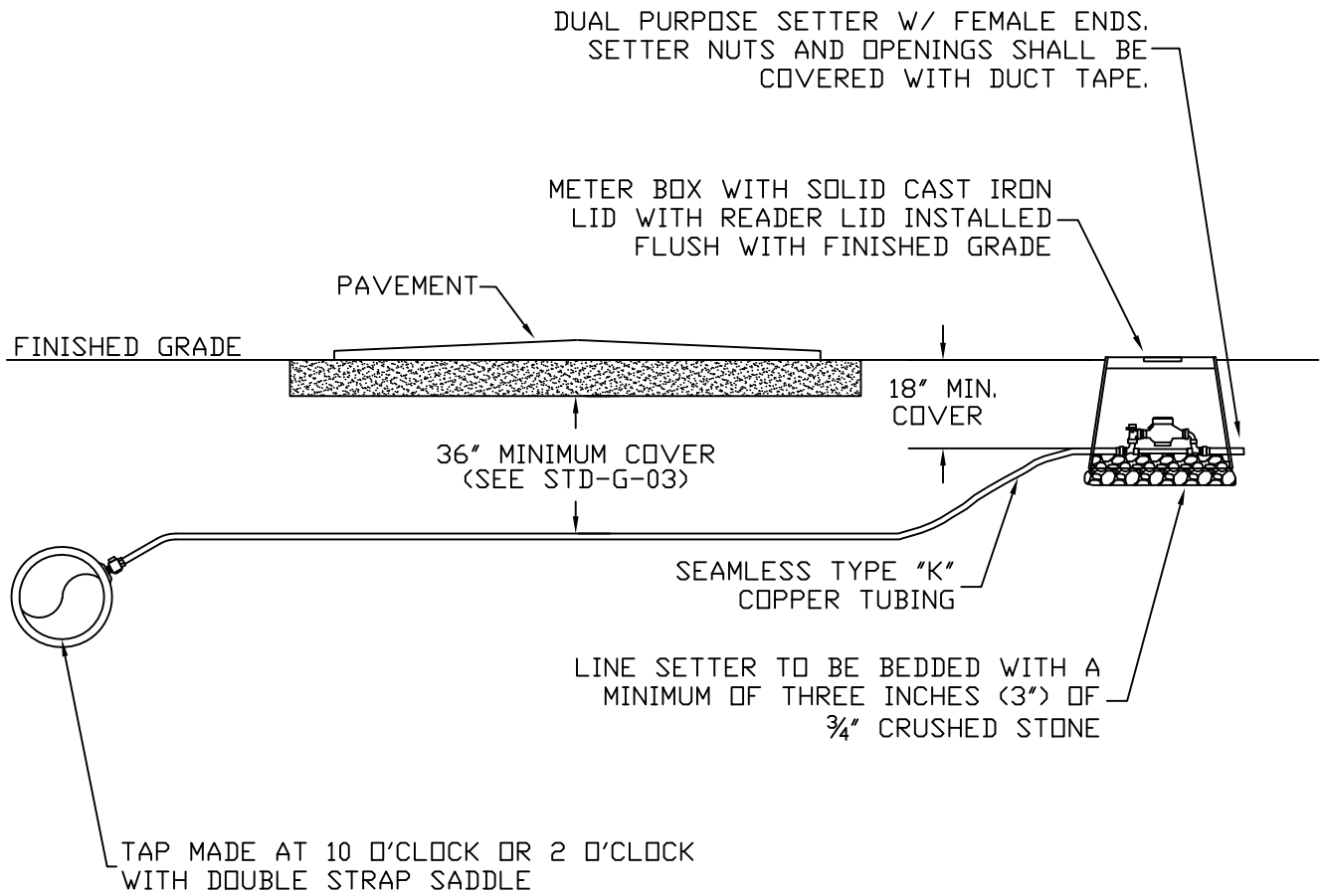
LINE SETTER TO BE BEDDED WITH A MINIMUM OF THREE INCHES (3") OF 3/4" CRUSHED STONE



NOTES:

1. 3/4" AND 1" METERS FURNISHED BY W.H.U.D.
2. SEE STD-W-03 AND STD-W-04 FOR 3/4" WATER SERVICE ARRANGEMENTS.
3. SEE APPROVED W.H.U.D. MATERIAL LIST.

| | | |
|---------------------------------------------------------------------------------------------------------------------------------------------------------------|---------------------------------------|----------------------------------------|
|  <p>White House Utility District WATER & WASTEWATER</p> | WHITE HOUSE UTILITY DISTRICT | DATE : FEBRUARY 2016 SCALE : N.T.S. |
| | 3/4" AND 1" SHORT TAP ASSEMBLY DETAIL | STD-W-01P |



NOTES:

1. 3/4" AND 1" METERS FURNISHED BY W.H.U.D.
2. SEE STD-W-03 AND STD-W-04 FOR 3/4" WATER SERVICE ARRANGEMENTS.
3. SEE APPROVED W.H.U.D. MATERIAL LIST.

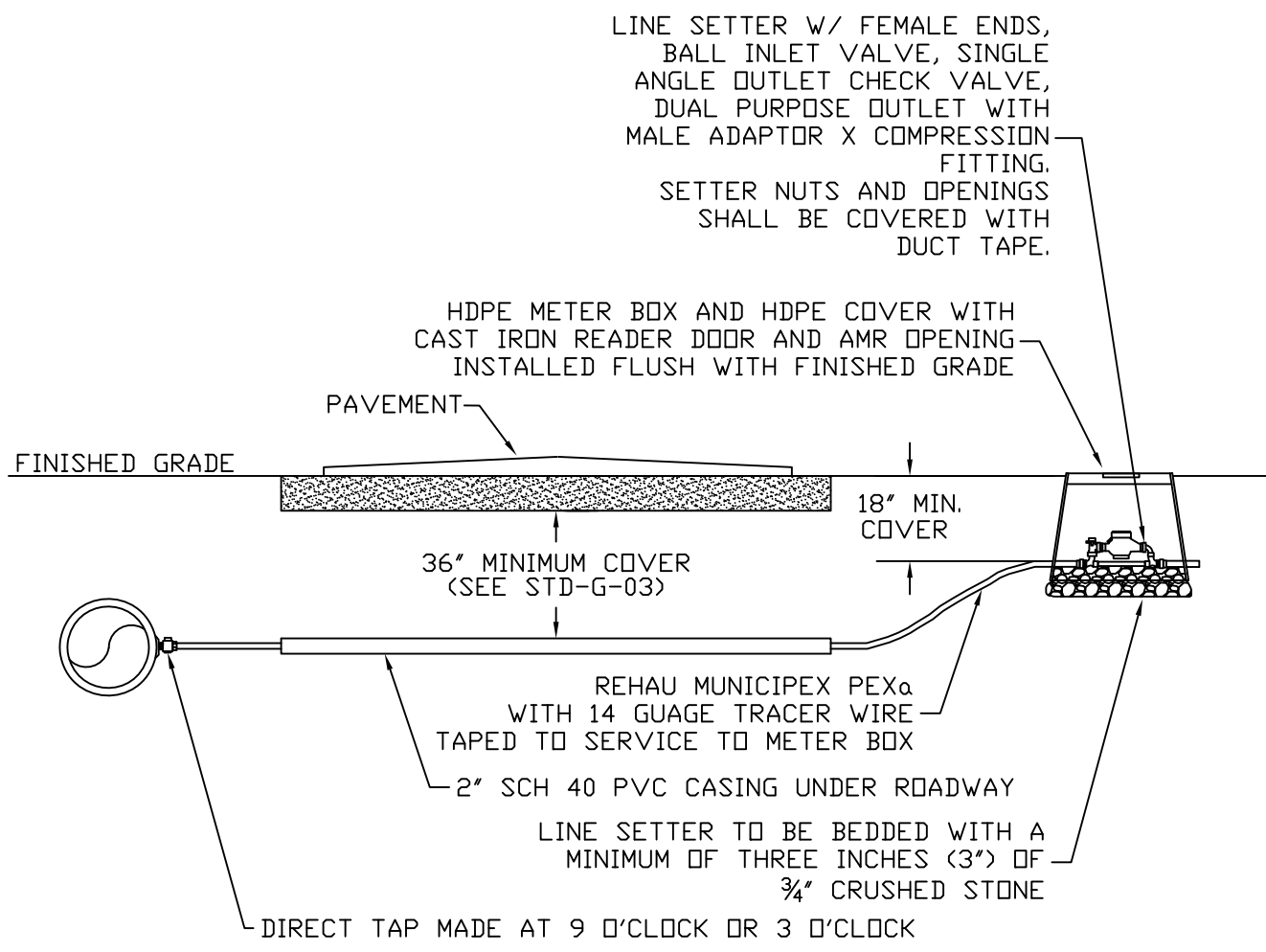


WHITE HOUSE UTILITY DISTRICT

3/4" AND 1" LONG TAP ASSEMBLY DETAIL


DATE : FEB 2012
SCALE : N.T.S.

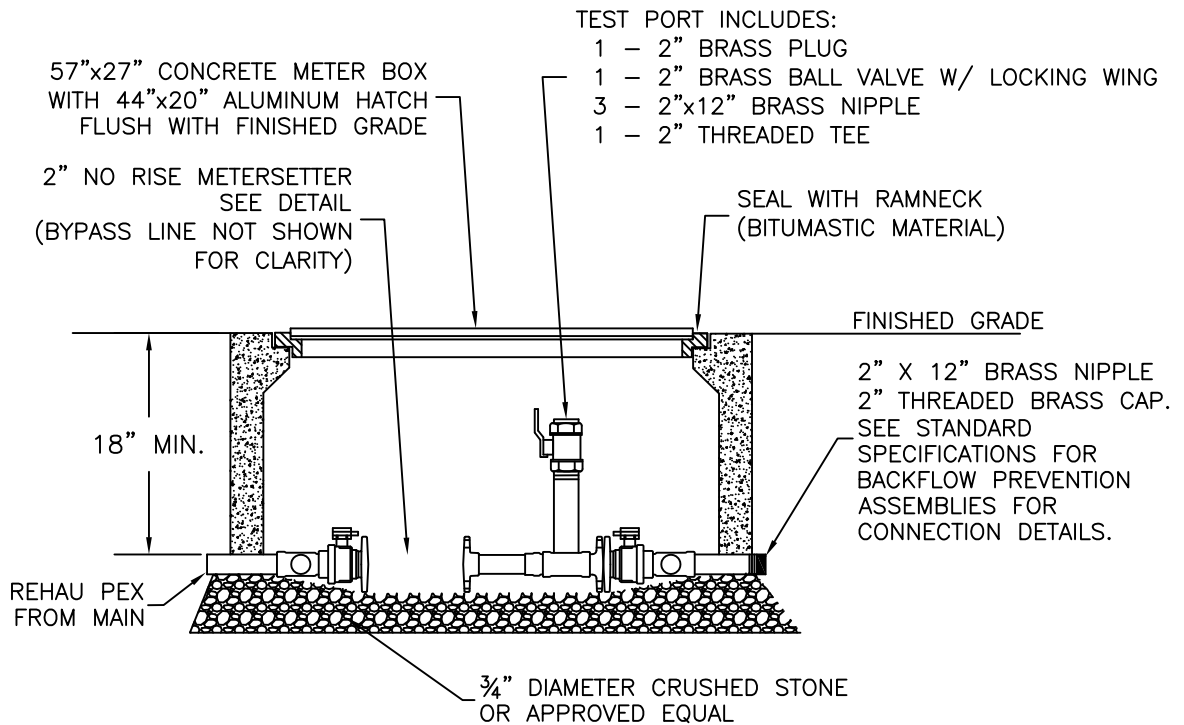
STD-W-02



NOTES:

1. ¾" AND 1" METERS FURNISHED BY W.H.U.D.
2. SEE STD-W-03 AND STD-W-04 FOR ¾" WATER SERVICE ARRANGEMENTS.
3. SEE APPROVED W.H.U.D. MATERIAL LIST.


| | | |
|---------------------------------------------------------------------------------------------------------------------------------------------------|--------------------------------------|----------------------------------------|
|  White House Utility District WATER & WASTEWATER | WHITE HOUSE UTILITY DISTRICT | DATE : FEBRUARY 2016 SCALE : N.T.S. |
| | 3/4" AND 1" LONG TAP ASSEMBLY DETAIL | STD-W-02P |



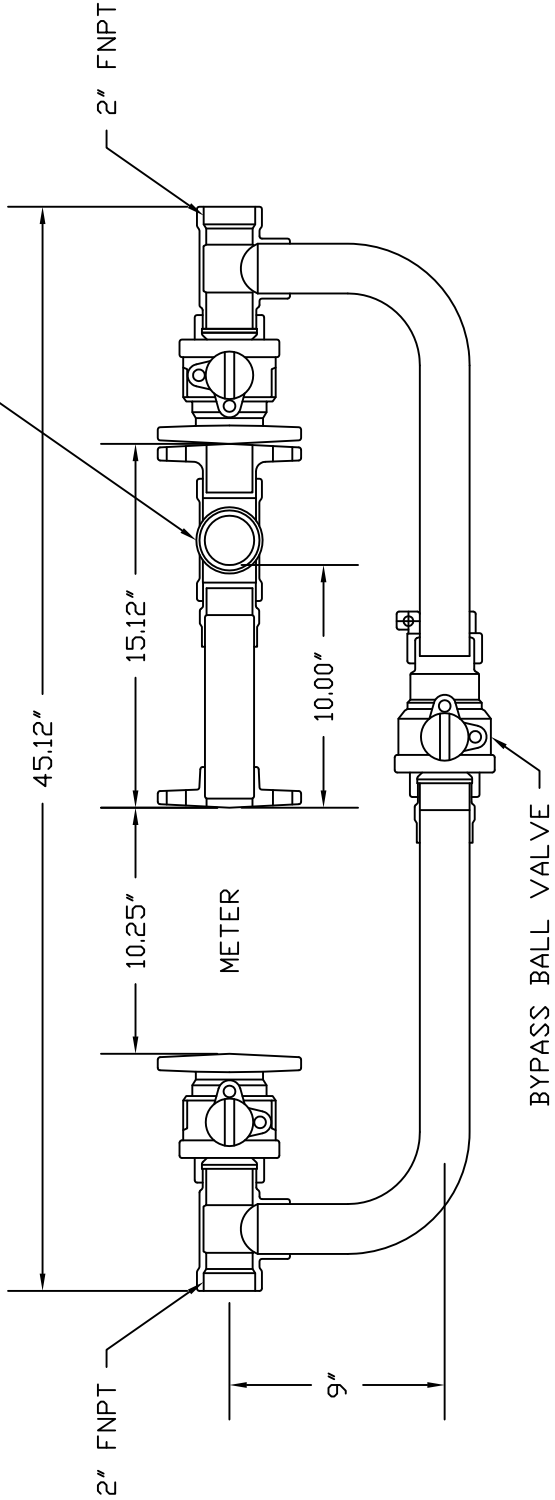
NOTE: CONTRACTOR TO PROVIDE WHUD APPROVED METER AND TELEMTRY

NOTES:

1. CONCRETE VAULT IS TO BE 4500 PSI @ 28 DAYS.
2. CONCRETE VAULT IS TO BE REINFORCED WITH #3 BARS.
3. ENTIRE VAULT AREA IS TO HAVE A MINIMUM BEDDING OF 3" DEEP 3/4" DIA. CRUSHED STONE OR APPROVED EQUAL.
4. SEE APPROVED W.H.U.D. MATERIAL LIST.

| | | |
|-------------------------------------------------------------------------------------|------------------------------|-----------------------------------|
|  | WHITE HOUSE UTILITY DISTRICT | DATE : JAN 2015 SCALE : N.T.S. |
| | 2" WHUD APPROVED METER | STD-W-04 |

IDLER W/TAP
(SOLD SEPARATELY)

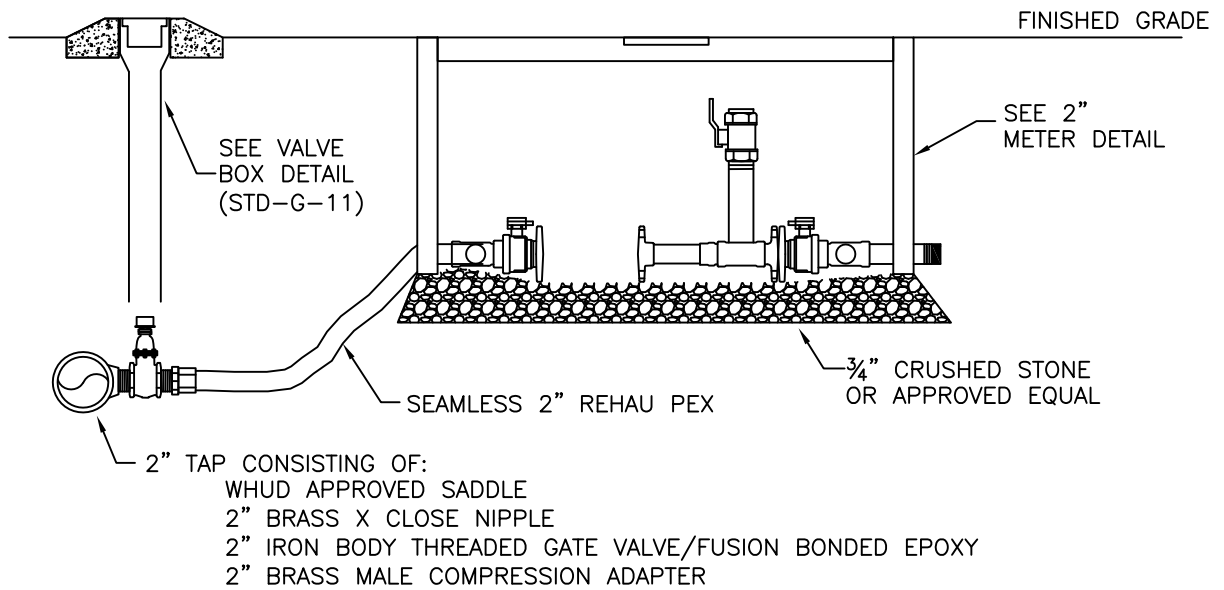


WHITE HOUSE UTILITY DISTRICT

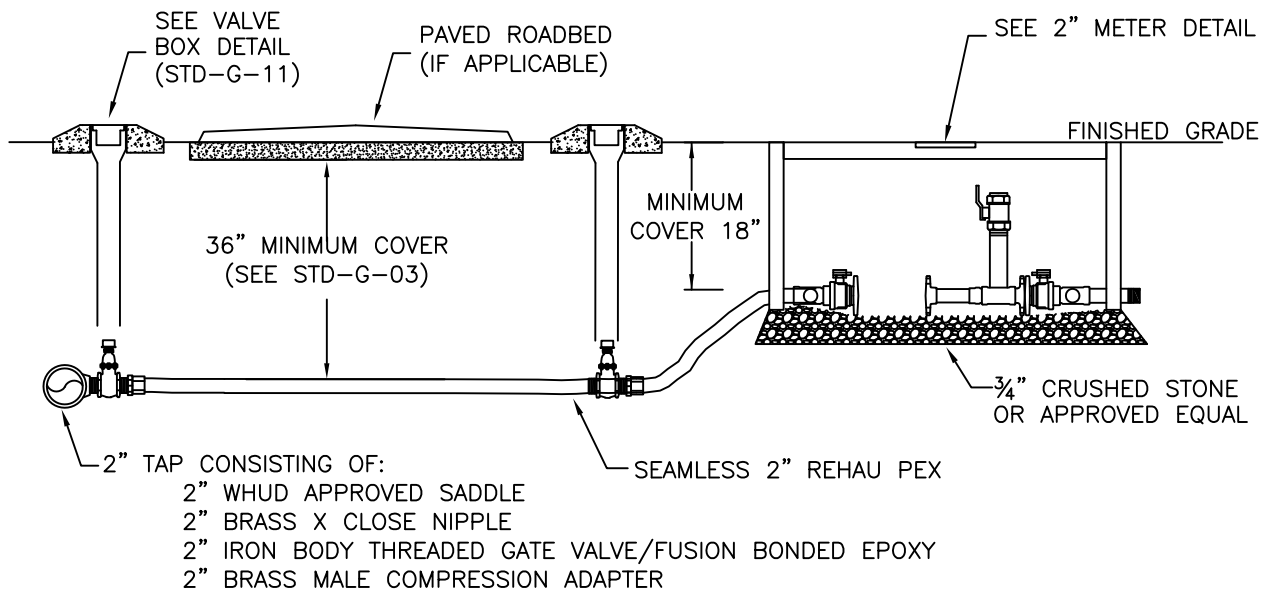
NO RISE 2" METERSETTER

DATE : JAN 2015
SCALE : N.T.S.

STD-W-04B



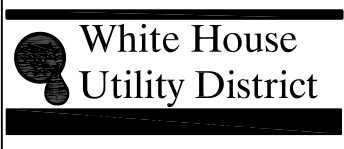
2" SHORT TAP ASSEMBLY



2" LONG TAP ASSEMBLY

NOTES:

1. CONTRACTOR TO PROVIDE ALL LABOR AND MATERIALS INCLUDING MAKING THE 2" MAIN TAP.
2. SEE APPROVED W.H.U.D. MATERIALS LIST.

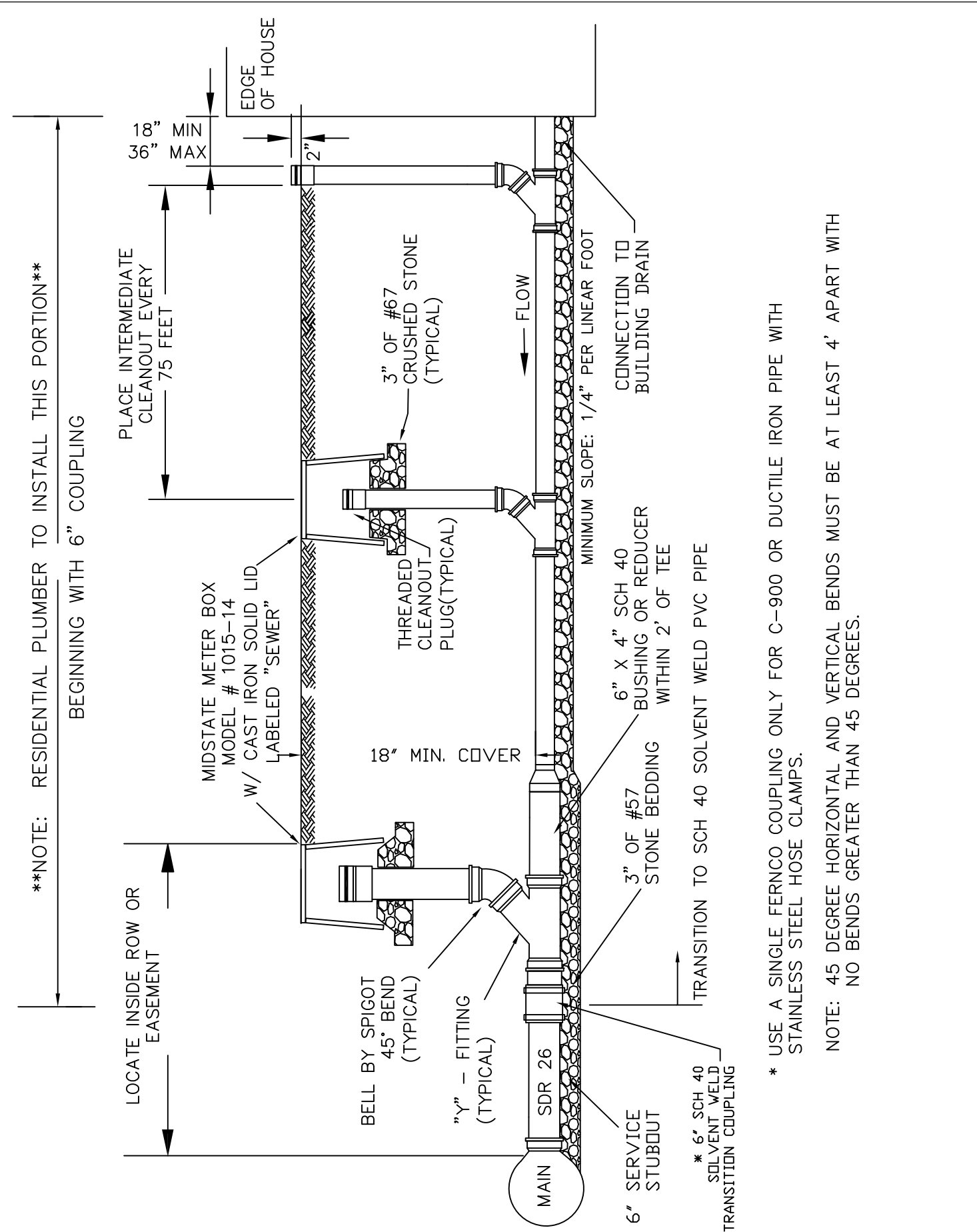


WHITE HOUSE UTILITY DISTRICT

DATE : JAN 2015
 SCALE : N.T.S.

2" TAP ASSEMBLY DETAIL

STD-W-05



****NOTE: RESIDENTIAL PLUMBER TO INSTALL THIS PORTION****
 BEGINNING WITH 6" COUPLING

PLACE INTERMEDIATE
 CLEANOUT EVERY
 75 FEET

18" MIN
 36" MAX

MIDSTATE METER BOX
 MODEL # 1015-14
 W/ CAST IRON SOLID LID
 LABELED "SEWER"

BELL BY SPIGOT
 45° BEND
 (TYPICAL)

"Y" - FITTING
 (TYPICAL)

THREADED
 CLEANOUT
 PLUG (TYPICAL)

18" MIN. COVER

3" OF #67
 CRUSHED STONE
 (TYPICAL)

MINIMUM SLOPE: 1/4" PER LINEAR FOOT

6" X 4" SCH 40
 BUSHING OR REDUCER
 WITHIN 2' OF TEE

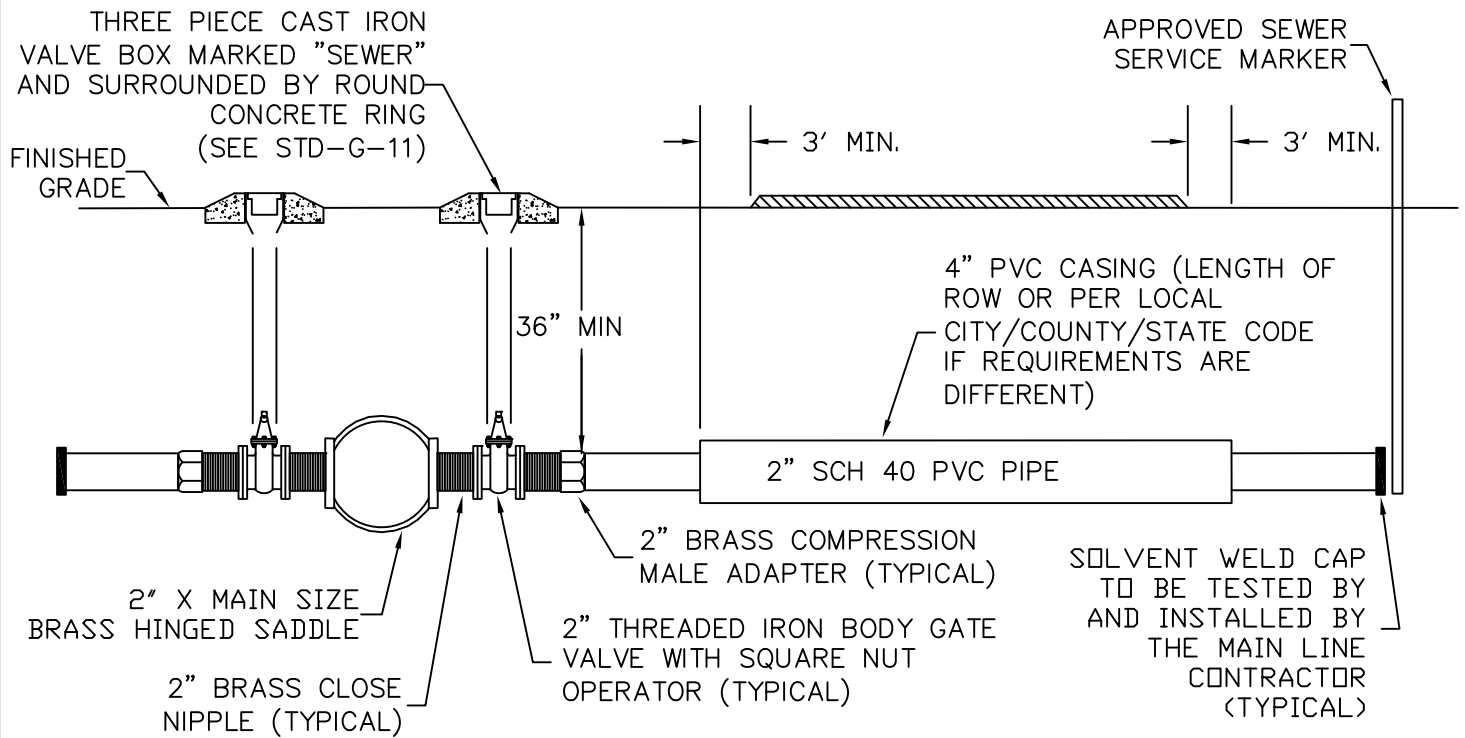
6" SERVICE
 STUBOUT

* 6" SCH 40
 SOLVENT WELD
 TRANSITION COUPLING

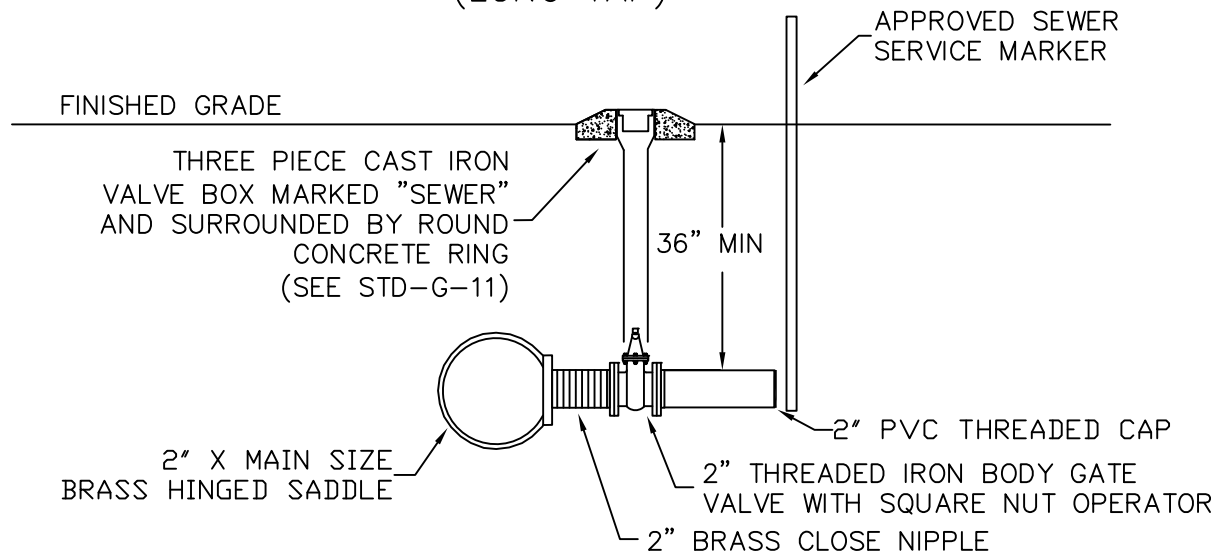
CONNECTION TO
 BUILDING DRAIN

* USE A SINGLE FERNCO COUPLING ONLY FOR C-900 OR DUCTILE IRON PIPE WITH
 STAINLESS STEEL HOSE CLAMPS.

NOTE: 45 DEGREE HORIZONTAL AND VERTICAL BENDS MUST BE AT LEAST 4' APART WITH
 NO BENDS GREATER THAN 45 DEGREES.



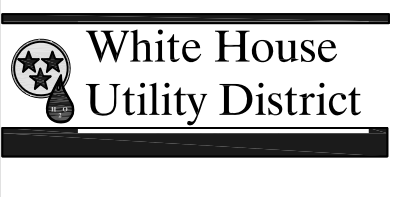
SIMPLEX GRINDER TAP
(LONG TAP)



SIMPLEX GRINDER TAP
(SHORT TAP)

NOTES:

1. SANITARY SEWER FORCE MAIN TAPS SHALL MAINTAIN A MINIMUM HORIZONTAL SEPARATION OF 4'.
2. CONTRACTOR TO PROVIDE AND INSTALL TRACER WIRE AND DETECTION TAPE ON ALL SANITARY SEWER FORCE MAIN.
3. SEWER SERVICE MARKER TO BE 2" Ø STEEL PIPE (SCH 40), PAINTED FLUORESCENT GREEN, AND EXTENDED A MINIMUM OF 4' ABOVE FINISHED GRADE.
4. SEE APPROVED W.H.U.D. MATERIALS LIST.

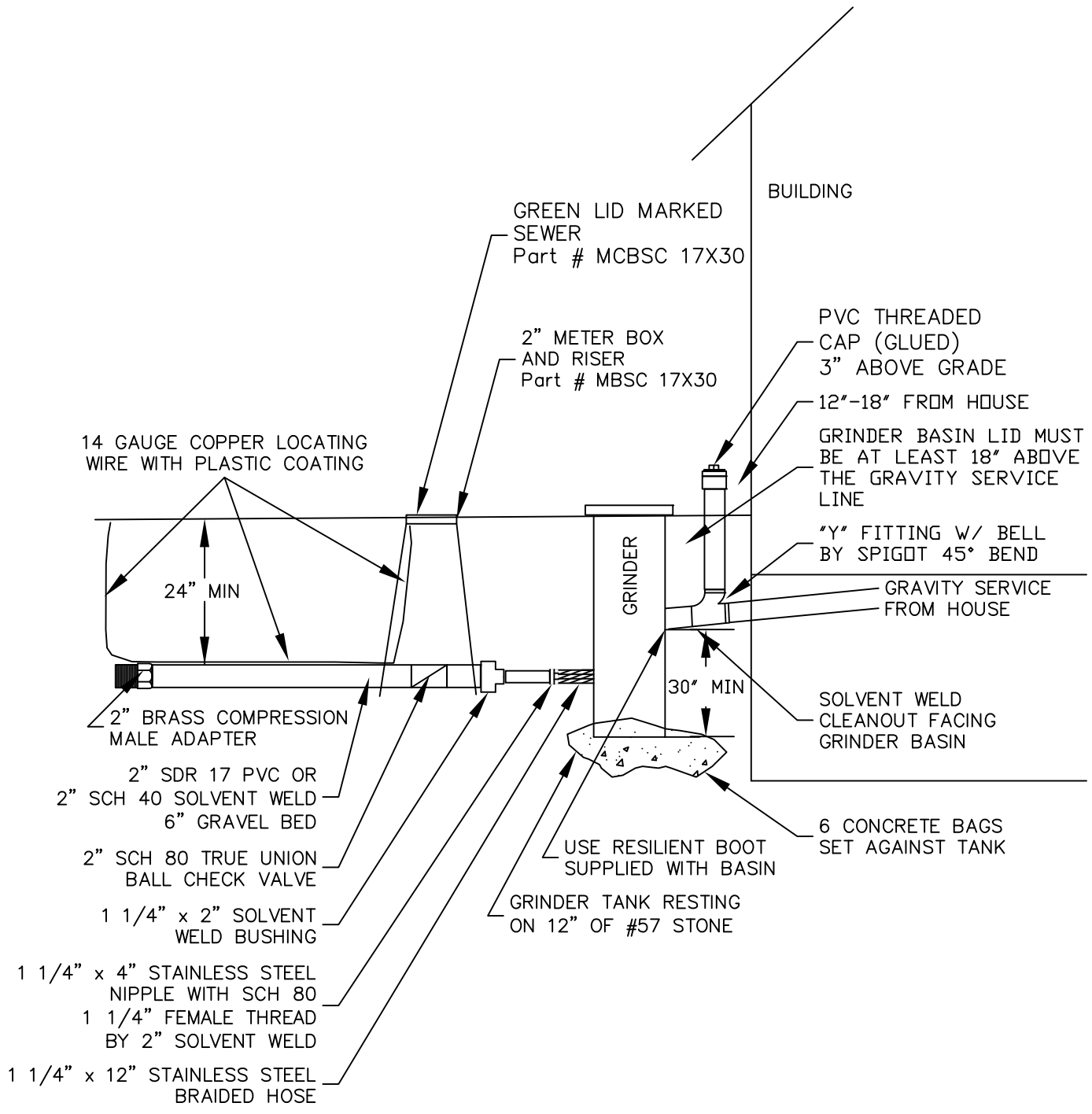


WHITE HOUSE UTILITY DISTRICT


SANITARY SEWER FORCE MAIN
LATERAL SERVICE STUB-OUT DETAIL
FOR EXISTING GRAVITY MAIN

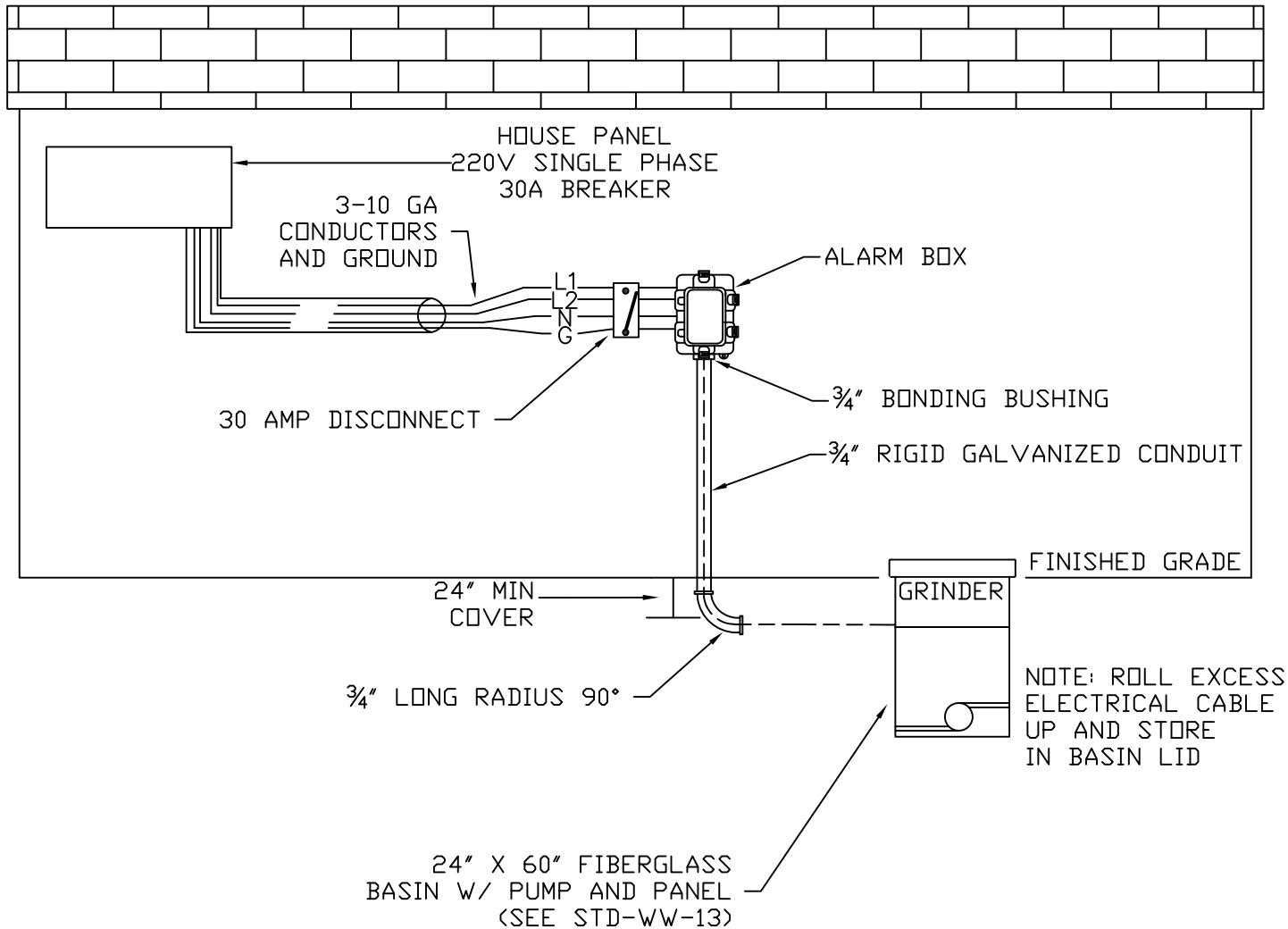
DATE : AUG 2008
SCALE : N.T.S.

STD-WW-11




N.T.S.

| | | |
|-------------------------------------------------------------------------------------|--------------------------------------|-----------------|
|  | WHITE HOUSE UTILITY DISTRICT | DATE : FEB 2012 |
| | INSTALLATION OF SIMPLEX GRINDER PUMP | SCALE : N.T.S. |
| | | STD-WW-12 |



NOTES:

1. VERIFY MOTOR AMPERAGE AND ALL NAMEPLATE REQUIREMENTS PRIOR TO INSTALLATION.
2. ALL CONNECTIONS SHALL BE IN ACCORDANCE WITH LOCAL CODES AND NEC
3. MOUNT ALL ELECTRICAL EQUIPMENT A MINIMUM OF 48" ABOVE GRADE AND MAXIMUM OF 60" ABOVE GRADE.
4. SEE W.H.U.D. APPROVED MATERIALS LIST.

| | | |
|----------------------------------------------------------------------------------------------------------------------------|------------------------------------------------------------|-----------------------------------|
|  White House Utility District | WHITE HOUSE UTILITY DISTRICT | DATE : AUG 2008 SCALE : N.T.S. |
| | ELECTRICAL INSTALLATION FOR SIMPLEX GRINDER PUMP DETAIL | STD-WW-13 |



White House
Utility District

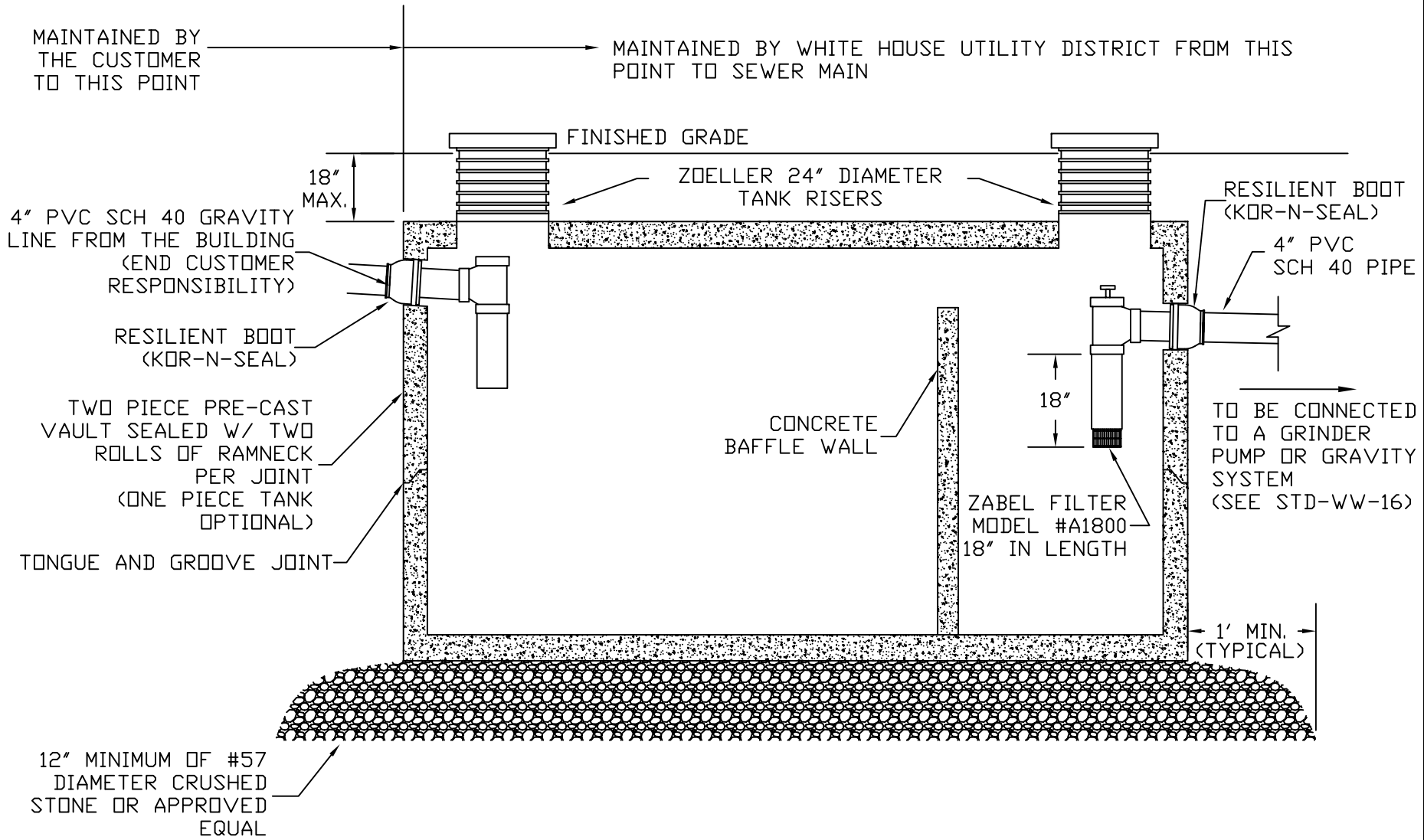
STEP AND STEG SEWER SYSTEM DETAIL

SEPTIC TANK FOR W.H.U.D.

WHITE HOUSE UTILITY DISTRICT

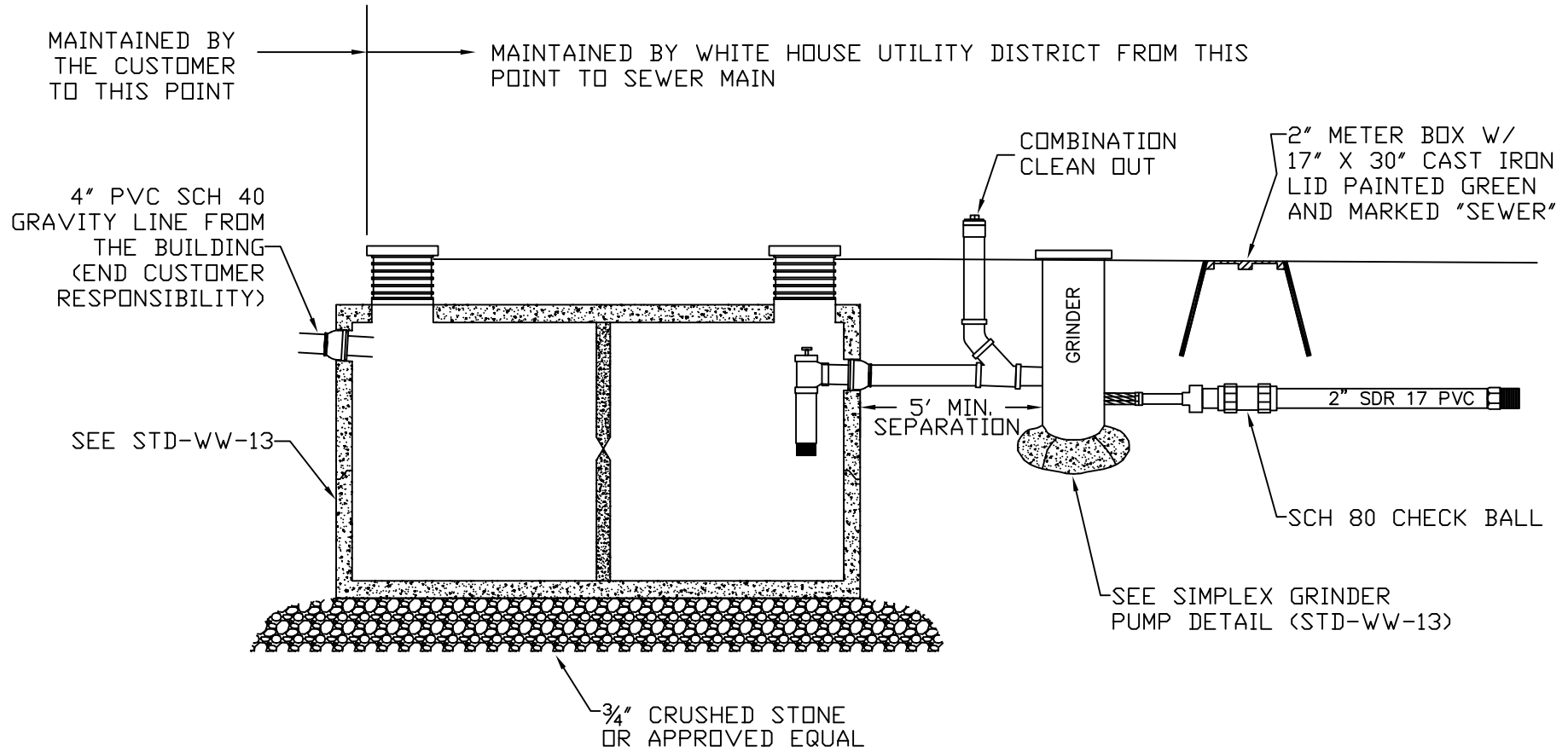
DATE : FEB 2012
SCALE : N.T.S.

STD-WW-14



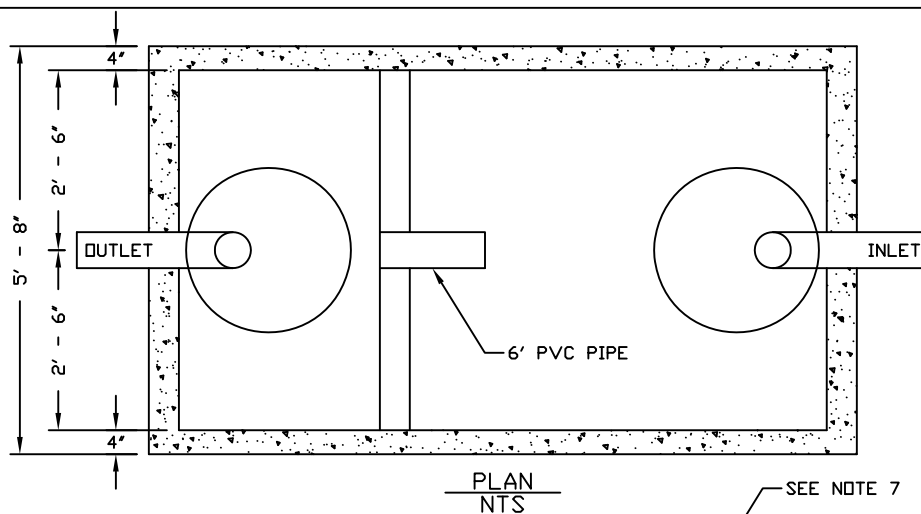
NOTES:

1. THE SEPTIC TANK SHOWN IS TO BE A STANDARD 1000 GALLON SEPTIC TANK AND MUST BE INSPECTED BY AN AUTHORIZED AGENT OF THE WHITE HOUSE UTILITY DISTRICT. ALL PIPE PENETRATIONS SHALL BE THROUGH A RESILIENT BOOT. ALL CONCRETE AND RISER JOINTS SHALL BE SEALED WITH BITUMASTIC MATERIAL. THIS WILL REQUIRE A 24 HR LEAK DOWN TEST.
2. SEE APPROVED W.H.U.D. MATERIALS LIST.

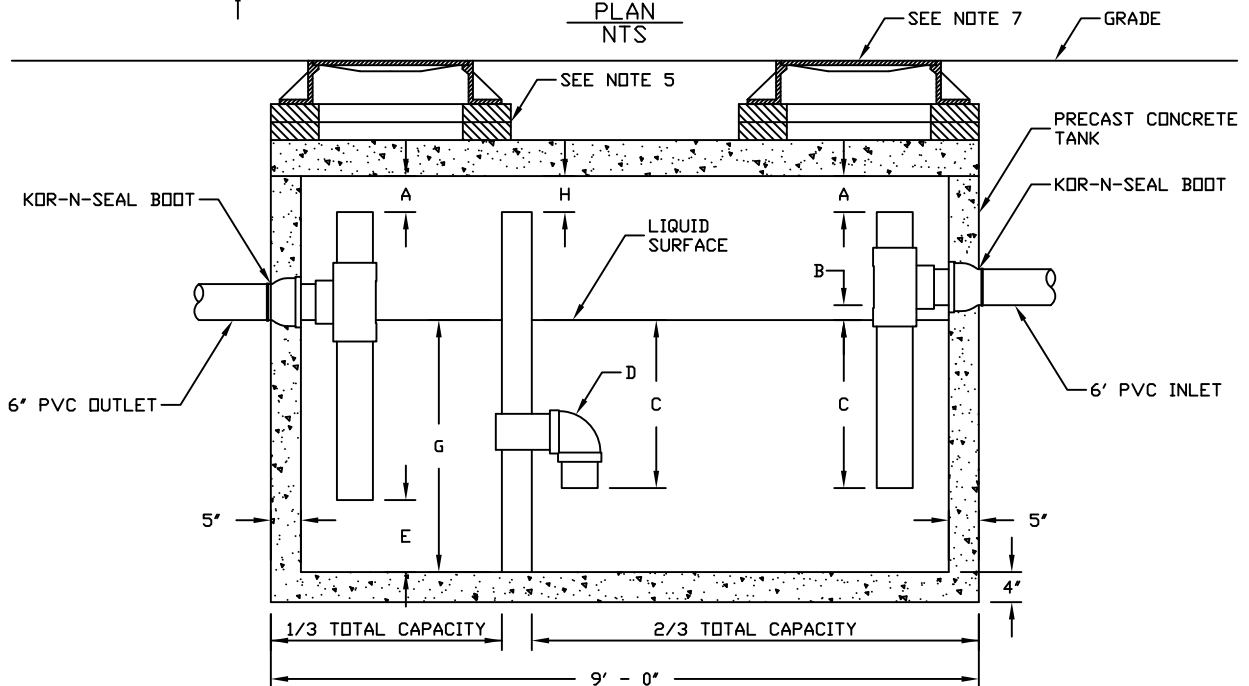


NOTES:

1. SEE APPROVED W.H.U.D. MATERIALS LIST.



PLAN
NTS




ELEVATION
NTS

- A. MINIMUM 6", BUT NOT LESS THAN PIPE DIAMETER.
- B. INLET PIPE INVERT TO BE 2 1/2" ABOVE LIQUID SURFACE.
- C. INLET PIPE TO TERMINATE 2/3 DEPTH OF WATER LEVEL.
- D. 90 DEGREE SWEEP, MINIMUM SIZE - 6" PVC PIPE.
- E. 12" FROM FLOOR TO END OF OUTLET PIPE.
- F. OUTLET PIPE NO SMALLER THAN INLET PIPE, MINIMUM - 4".
- G. MINIMUM DEPTH OF LIQUID CAPACITY - 42".
- H. MAXIMUM DISTANCE FROM CEILING - 6".

NOTES:

1. MINIMUM TOP THICKNESS - 6" (INCHES)
MINIMUM TOP THICKNESS IN PAVED AREAS - 8" (INCHES)
2. MINIMUM GREASE INTERCEPTOR CAPACITY - 1500 GALLONS
3. DIMENSIONS GIVEN ARE MINIMUM WHEN GREASE INTERCEPTOR CAPACITY REQUIRED IS 1500 GALLONS.
4. WHEN A LARGER CAPACITY GREASE INTERCEPTOR IS REQUIRED, SHOW 1500 GALLON TANKS CONNECTED IN SERIES.
5. CONCRETE GRADE RINGS. (MAXIMUM OF 2)
6. ADJUSTMENTS GREATER THAN ONE (1) FOOT REQUIRE FOUR (4) FOOT DIAMETER MANHOLE RISERS.
7. JBS 1155 OR APPROVED EQUAL TRAFFIC MANHOLE FRAME AND COVER WITH CRETEX INFLOW DISH.
8. SEE APPROVED W.H.U.D. MATERIALS LIST.

| | | |
|---------------------------------------------------------------------------------------------------------------------------------------------------------------|------------------------------|-------------------------------------|
|  <p>White House Utility District WATER & WASTEWATER</p> | WHITE HOUSE UTILITY DISTRICT | DATE : MARCH 2015 SCALE : N.T.S. |
| | GREASE INTERCEPTOR | STD-WW-19 |